

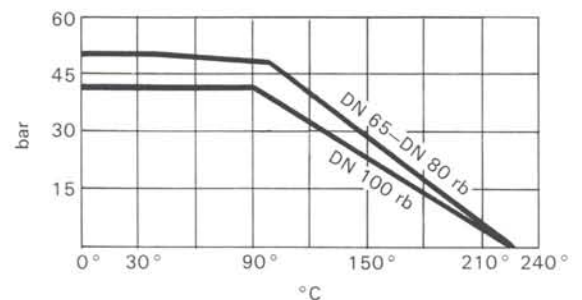
# SERIES AF 25 ANTISTATIC FIRESAFE

Tested to, BS 5146  
Class 300



DN  $\frac{2\ 1/2'' - 4''}{65 - 100}$

Ask for details on DN 6" – 150



## FIGURE AF 2566 in Cast Stainless Steel

Body, Ball (and Handle DN 65)  
Ends, Stem and Centre Ring  
Bolts and Nuts  
Handle, DN 80 – DN 100  
Seats  
Body and Stem Seals

Stainless Steel AISI 316 / ASTM A 351 CF-8 M  
Stainless Steel AISI 316 L / ASTM A 182 F-316 L  
Stainless Steel AISI 304 / ASTM A 182 F-304  
Stainless Steel / Steel zinc plated  
Virgin PTFE  
Graphite

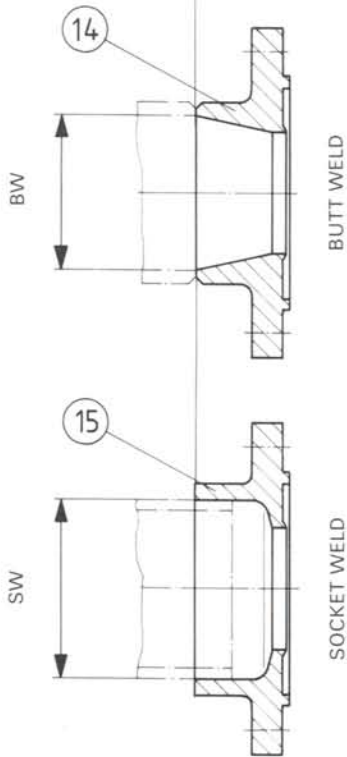
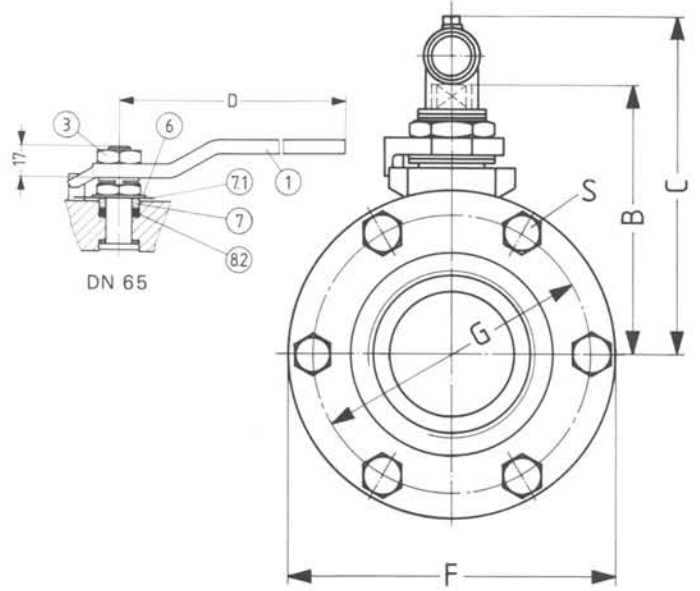
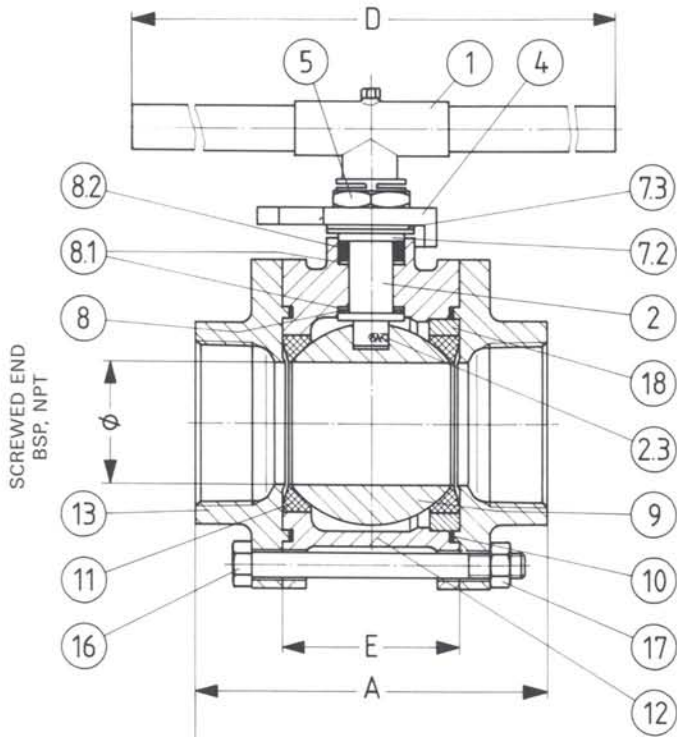
## FIGURE AF 2544 in Cast Steel

Body  
Ends  
Ball, Stem, Centre Ring  
Bolts and Nuts  
Handle  
Seats  
Body and Stem Seals

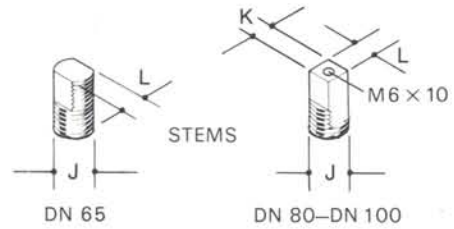
Cast Steel ASTM A 216 WCB / DIN GS-45, phosphated  
Carbon Steel ASTM A 105 N / DIN 1.0460, phosphated  
Stainless Steel AISI 316 / ASTM A 182 F-316  
Steel 8.8, zinc plated  
Stainless Steel / Steel zinc plated  
Virgin PTFE  
Graphite

# SERIES AF 25 ANTISTATIC FIRESAFE

DN  $\frac{2\ 1/2'' - 4''}{65 - 100}$



1	T-Piece, Bar, Screw
2	Stem
2.3	Antistatic Device
3	Handle Nut
4	Stop Plate
5	Stem Retaining Nut
6	Stem Seal Washer
7	Stem Seal Follower
7.1	Lock Plate
7.2	Packing Gland
7.3	Gland Washer
8	Stem Seal
8.1	Washer
8.2	Stem Packing
9	Ball
10	Body Seal
11	Seat
12	Body
13	Screwed End
14	Butt Weld End
15	Socket Weld End
16	Body Bolts
17	Body Nuts
18	Centre Ring

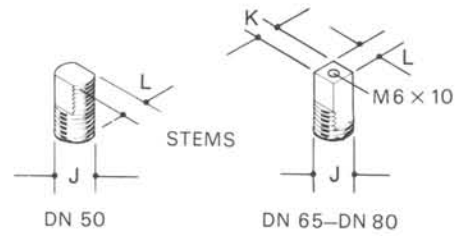
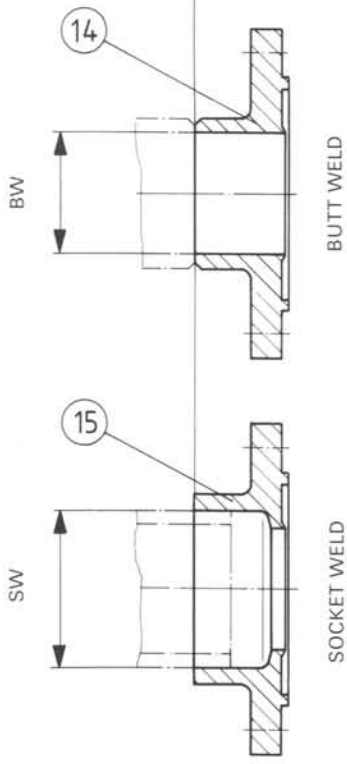
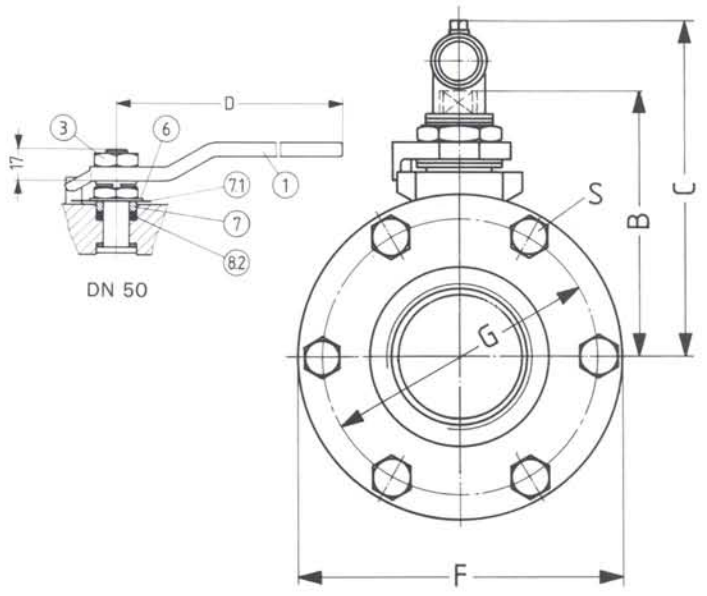
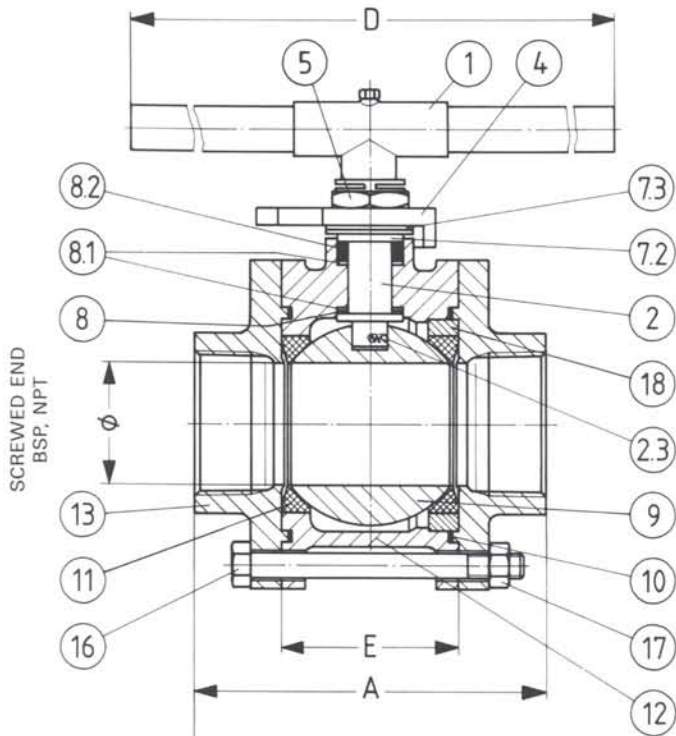


## REDUCED BORE

DN	65	80	100
SCREW	2 1/2"	3"	4"
BW	65	80	100
SW	77	90,5	115
Ø	50	64	82,5
A	145	175	215
B	95	145	160
C	100	180	195
D	175	500	500
E	71,5	89	108,5
F	140	170	206
G	114	140	175
J	M16x1,5	UNF 1"	UNF 1"
K		21	21
L	11	19	19
S	6x M12x110	6x M12x130	8x M14x150
Weight /kg	8,0	16,0	25,0

# SERIES AF 25 ANTISTATIC FIRESAFE

DN  $\frac{2'' - 3''}{50 - 80}$



1	T-Piece, Bar, Screw
2	Stem
2.3	Antistatic Device
3	Handle Nut
4	Stop Plate
5	Stem Retaining Nut
6	Stem Seal Washer
7	Stem Seal Follower
7.1	Lock Plate
7.2	Packing Gland
7.3	Gland Washer
8	Stem Seal
8.1	Washer
8.2	Stem Packing
9	Ball
10	Body Seal
11	Seat
12	Body
13	Screwed End
14	Butt Weld End
15	Socket Weld End
16	Body Bolts
17	Body Nuts
18	Centre Ring

## FULL BORE

DN	50	65	80
SCREW	2"	2 1/2"	3"
BW	50	65	80
SW	61	77	90,5
∅	50	64	82,5
A	145	175	215
B	95	145	160
C	100	180	195
D	175	500	500
E	71,5	89	108,5
F	140	170	206
G	114	140	175
J	M16x1,5	UNF 1"	UNF 1"
K		21	21
L	11	19	19
S	6x M12x110	6x M12x130	8x M14x150
Weight/kg	8,0	16,0	25,0