

SERIES 25



DN $\frac{2\ 1/2'' - 6''}{65 - 150}$

*Pressure up to 50 bar

*Temperature up to 250°C

*for details see page 33

FIGURE 2566 in Cast Stainless Steel

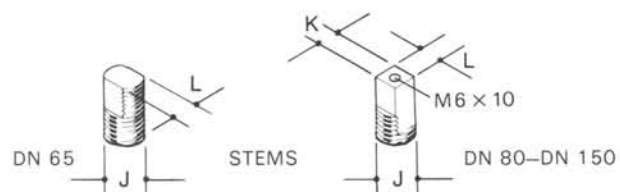
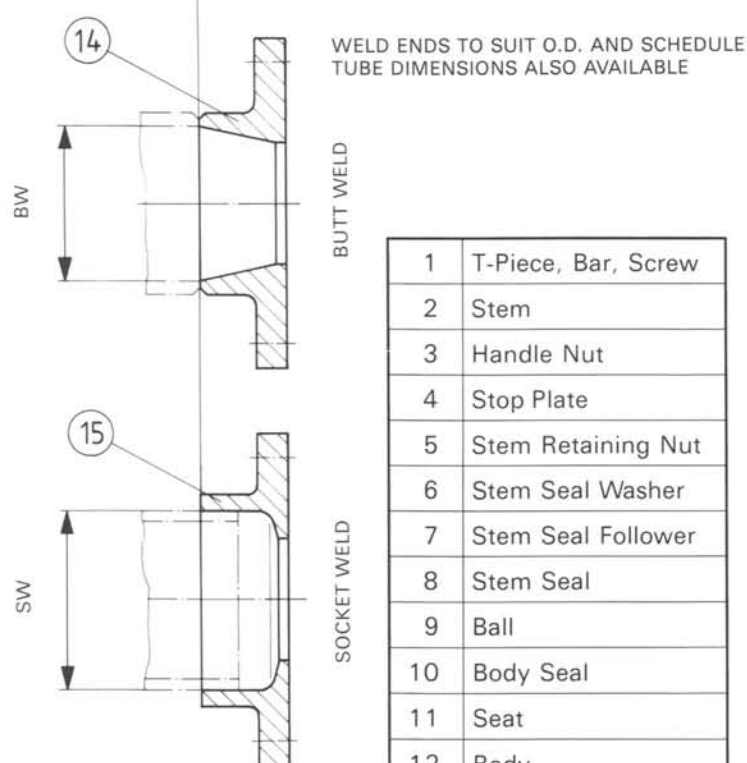
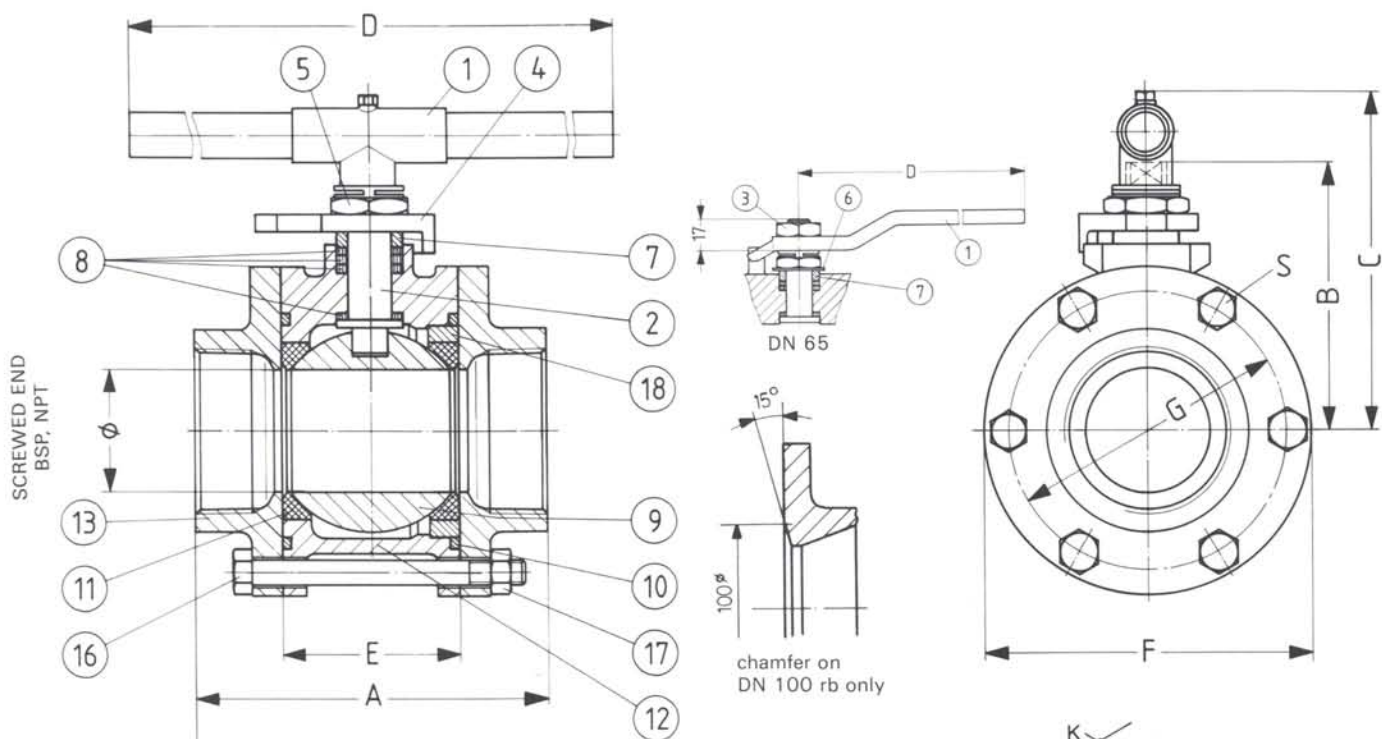
Body, Ball (and Handle DN 65)	Stainless Steel AISI 316	/ ASTM A 351 CF-8 M
Ends, Stem and Centre Ring	Stainless Steel AISI 316 L	/ ASTM A 182 F-316 L
Bolts and Nuts	Stainless Steel AISI 304	/ ASTM A 182 F-304
Handle, DN 80 – DN 150	Stainless Steel / Steel zinc plated	
Seats and Seals	PTFE 25% glassfibre reinforced	(Standard)
Stem Seals	PTFE carbon filled	(Standard)

FIGURE 2544 in Cast Steel

Body	Cast Steel ASTM A 216 WCB / DIN GS-45, phosphated	
Ends	Carbon Steel ASTM A 105 N / DIN 1.0460, phosphated	
Ball, Stem, Centre Ring	Stainless Steel AISI 316 / ASTM A 182-F 316	
Bolts and Nuts	Steel 8.8, zinc plated	
Handle	Stainless Steel / Steel zinc plated	
Seats and Seals	PTFE 25% glassfibre reinforced	(Standard)
Stem Seals	PTFE carbon filled	(Standard)

SERIES 25

DN $\frac{2\ 1/2'' - 6''}{65 - 150}$



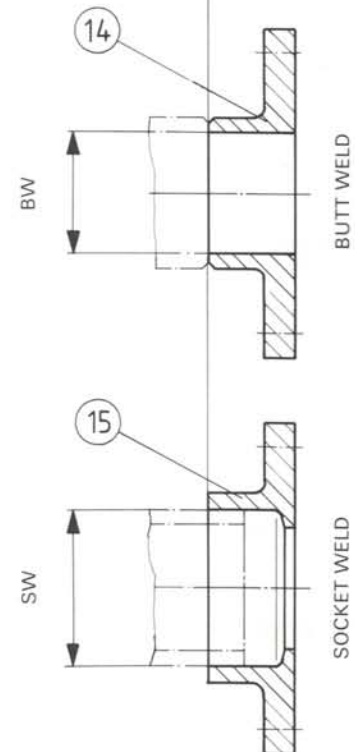
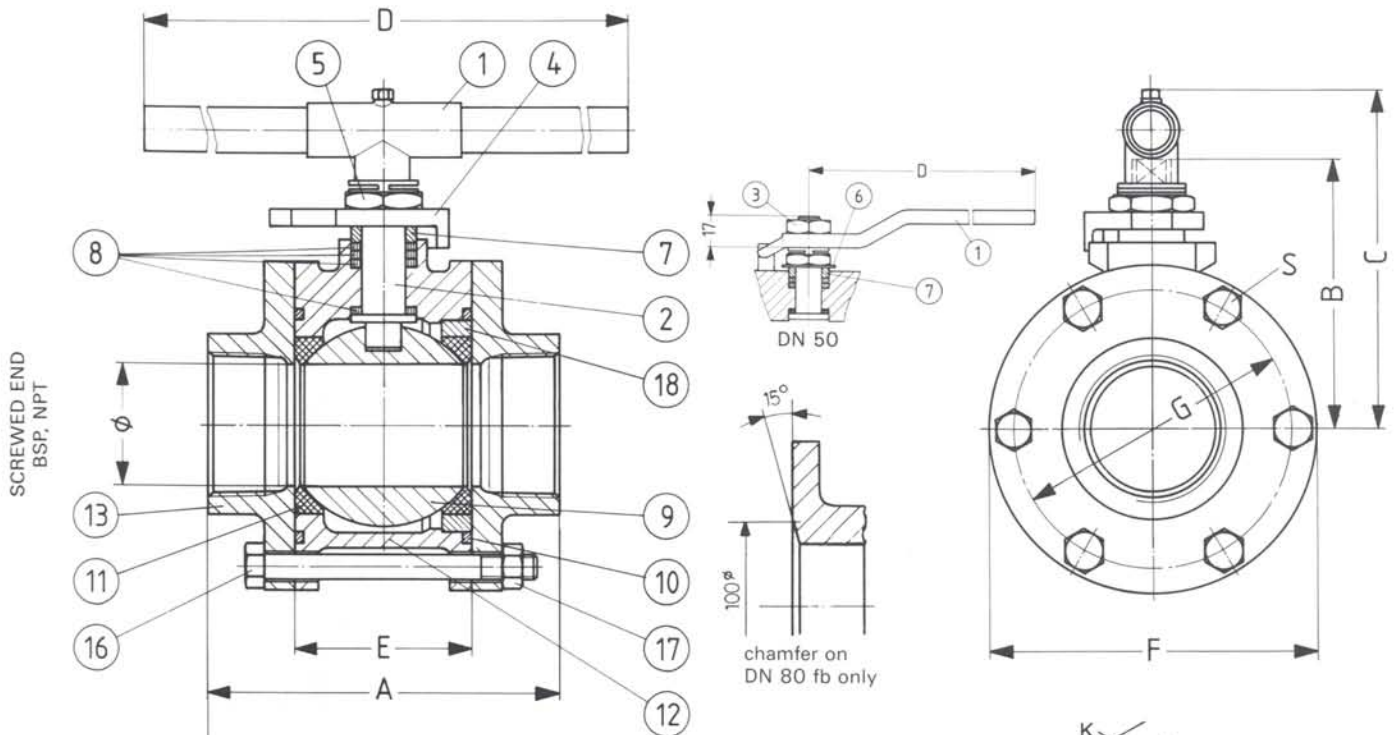
1	T-Piece, Bar, Screw
2	Stem
3	Handle Nut
4	Stop Plate
5	Stem Retaining Nut
6	Stem Seal Washer
7	Stem Seal Follower
8	Stem Seal
9	Ball
10	Body Seal
11	Seat
12	Body
13	Screwed End
14	Butt Weld End
15	Socket Weld End
16	Body Bolts
17	Body Nuts
18	Centre Ring

REDUCED BORE

DN	65	80	100	150
SCREW	2 1/2"	3"	4"	—
BW	65	80	100	150
SW	77	90,5	115	—
∅	50	64	82,5	100
A	145	175	215	300
B	95	145	160	175
C	100	180	195	210
D	175	500	500	500
E	71,5	89	108,5	135
F	140	170	206	250
G	114	140	175	215
J	M16×1,5	UNF 1"	UNF 1"	UNF 1"
K		21	21	21
L	11	19	19	19
S	6× M12×110	6× M12×130	8× M14×150	8× M14×190
Weight/kg	8,0	16,0	25,0	47,0

SERIES 25

DN $\frac{2'' - 4''}{50 - 100}$



1	T-Piece, Bar, Screw
2	Stem
3	Handle Nut
4	Stop Plate
5	Stem Retaining Nut
6	Stem Seal Washer
7	Stem Seal Follower
8	Stem Seal
9	Ball
10	Body Seal
11	Seat
12	Body
13	Screwed End
14	Butt Weld End
15	Socket Weld End
16	Body Bolts
17	Body Nuts
18	Centre Ring

FULL BORE

DN	50	65	80	100
SCREW	2"	2 1/2"	3"	4"
BW	50	65	80	100
SW	61	77	90,5	115
∅	50	64	82,5	100
A	145	175	215	300
B	95	145	160	175
C	100	180	195	210
D	175	500	500	500
E	71,5	89	108,5	135
F	140	170	206	250
G	114	140	175	215
J	M16×1,5	UNF 1"	UNF 1"	UNF 1"
K		21	21	21
L	11	19	19	19
S	6× M12×110	6× M12×130	8× M14×150	8× M14×190
Weight/kg	8,0	16,0	25,0	47,0