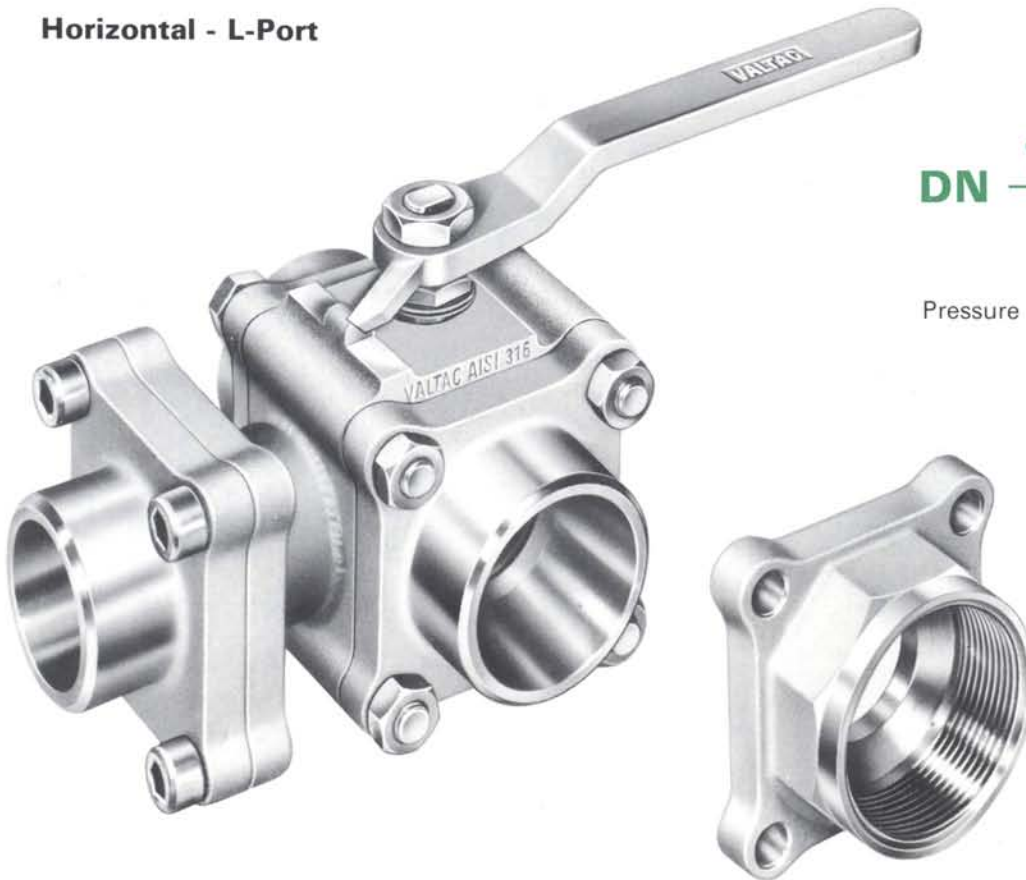


SERIES 17

Transflow Diverter Valves

Horizontal - L-Port



DN $\frac{1/4'' - 2''}{8 - 50}$

Pressure up to 50 bar

FIGURE 1766 in Stainless Steel

Body, Ball and Handle	Stainless Steel AISI 316 / ASTM A 182 F-316
Ends and Stem	Stainless Steel AISI 316 L / ASTM A 182 F-316 L
Bolts and Nuts	Stainless Steel AISI 304 / ASTM A 182 F-304
Seats and Seals	PTFE 25% glassfibre reinforced (Standard)
Stem Seals	PTFE carbon filled (Standard)

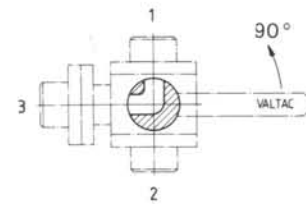
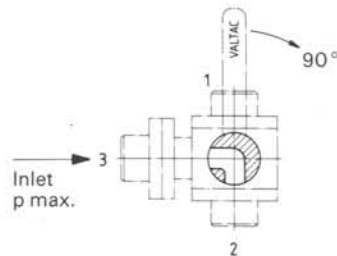
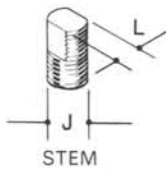
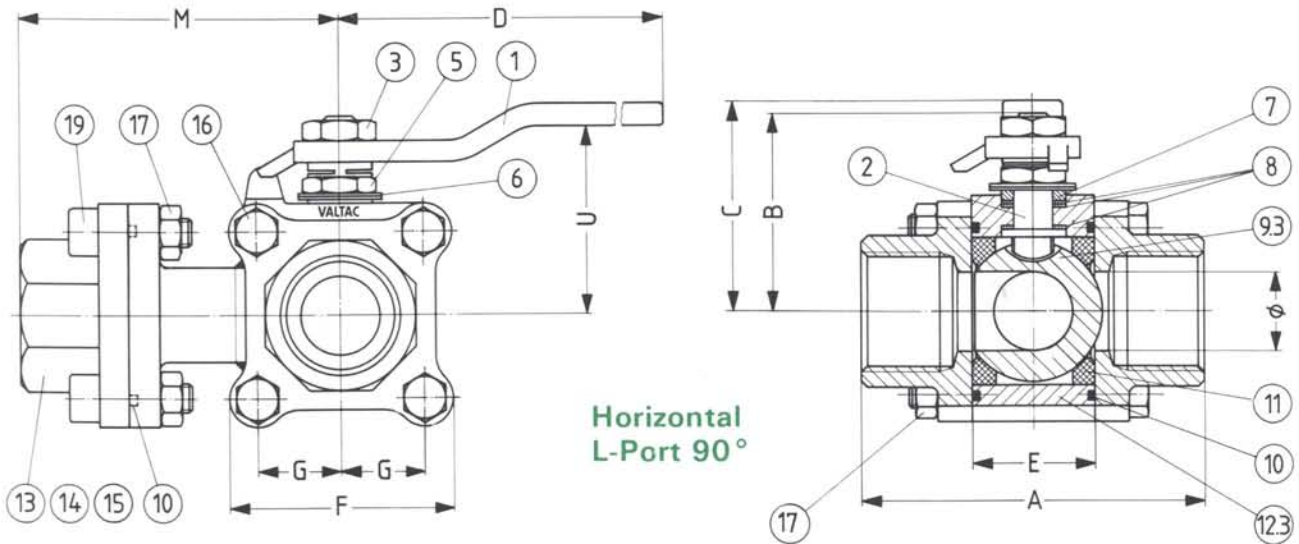
FIGURE 1744 in Carbon Steel

Body and Ends	Carbon Steel ASTM A 105 N / DIN 1.0460, phosphated
Handle, Ball and Stem	Stainless Steel AISI 316 / ASTM A 182 F-316
Bolts and Nuts	Steel, zinc plated
Seats and Seals	PTFE 25% glassfibre reinforced (Standard)
Stem Seals	PTFE carbon filled (Standard)

SERIES 17

Transflow Diverter Valves

DN $\frac{1}{4}'' - 2''$
8 - 50



REDUCED BORE

For full bore take one size larger

1	Handle
2	Stem
3	Handle Nut
5	Stem Retaining Nut
6	Stem Seal Washer
7	Stem Seal Follower
8	Stem Seal
9.3	3-Way Ball
10	Body Seal
11	Seat
12.3	3-Way Body
13	Screwed End
14	Butt Weld End
15	Socket Weld End
16	Body Bolt
17	Body Nut
19	Cap Screw

DN	8	10	15	20	25	32	40	50
SCREW	1/4"	3/8"	1/2"	3/4"	1"	1 1/4"	1 1/2"	2"
BWI	8	10	15	20	25	32	40	50
BWD	10,3	14	18,1	23,7	29,7	38,4	44,3	55,1
SWI	15	18	23	28	35	44	50	61
SWD	13,9	17,6	21,7	27,3	34,1	42,8	48,7	60,7
∅	10	10	10	12	17	23	30	35
A	65	65	65	75	90	105	115	130
B	36	36	36	42	55	60	72	77
C	45	45	45	50	60	65	75	80
D	105	105	105	105	145	145	175	175
E	20,6	20,6	20,6	24,6	31,7	41,3	48,4	56,3
F	45	45	45	51	62	68	76	86
G	15,9	15,9	15,9	19,1	22,1	25,1	28,6	33,3
J UNF	3/8"	3/8"	3/8"	3/8"	7/16"	7/16"	9/16"	9/16"
L	5,5	5,5	5,5	5,5	7,5	7,5	9	9
M	62	62	62	72	84	93	100	113
U	35	35	35	40	50	55	66	71
Weight / kg	0,9	0,9	0,9	1,2	2,0	2,9	3,9	5,4