

# SERIES 15



DN  $\frac{1/4'' - 2''}{8 - 50}$

\* Pressure up to 220 bar

High Vacuum

\* Temperature -40 °C to +300 °C

\*for details see page 33

## MATERIAL SPECIFICATION

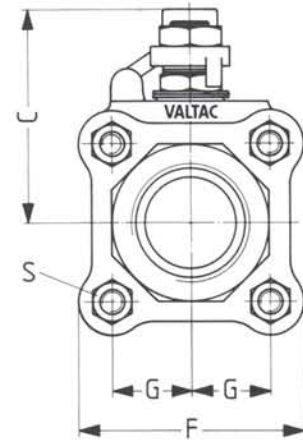
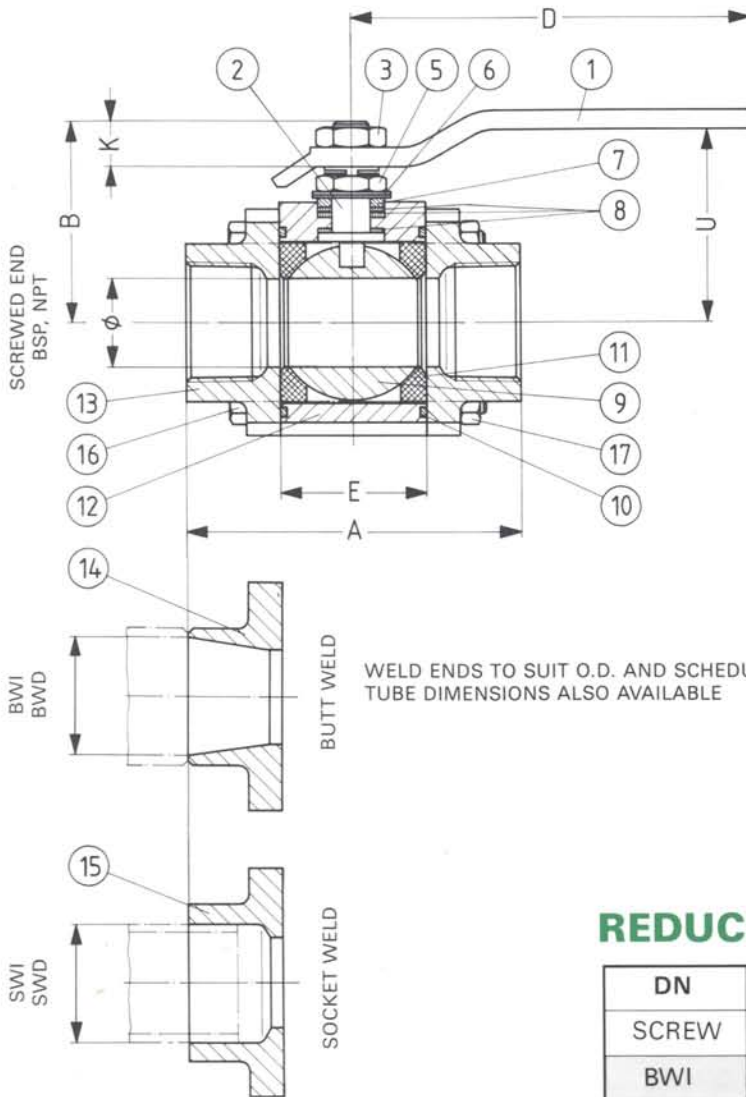
Series 15		FULL BORE REDUCED BORE	FIGURE 1566						FIGURE 1544							
			Stainless Steel						Carbon Steel							
ITEM			1/2"	3/4"	1"	1 1/4"	1 1/2"	2"	1/2"	3/4"	1"	1 1/4"	1 1/2"	2"		
			1/4"	3/8"	1/2"	3/4"	1"	1 1/4"	1 1/2"	1/4"	3/8"	1/2"	3/4"	1"	1 1/4"	1 1/2"
12	Body		A 351-CF8			AISI 316			ASTM A 105							
13	Ends		A 351-CF3M <sup>1</sup>			AISI 316 L			ASTM A 105							
14																
15																
16	Bolts/Nuts		AISI 304						Steel 8.8 DIN/ISO 898 Zinc plated							
17																
9	Ball		AISI 316													
2	Stem		AISI 316 L													
1	Handle		ASTM A 351-CF8													
11	Seats		PTFE 25% Glassfibre reinforced (Standard) <sup>2</sup>													
10	Body seals		PTFE 25% Glassfibre reinforced (Standard) <sup>2</sup>													
8	Stem seals		PTFE 25% Carbon filled (Standard) <sup>2</sup>													

<sup>1</sup> Including 3/4" Full Bore Butt Weld ends

<sup>2</sup> for options see page 32

# SERIES 15

DN  $\frac{1}{2}'' - 2''$   
15 - 50



WELD ENDS TO SUIT O.D. AND SCHEDULE TUBE DIMENSIONS ALSO AVAILABLE

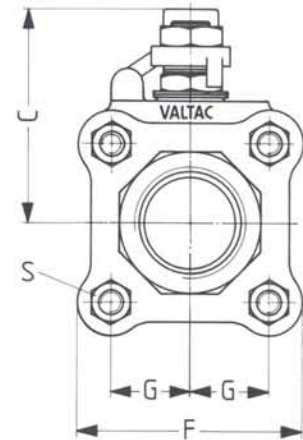
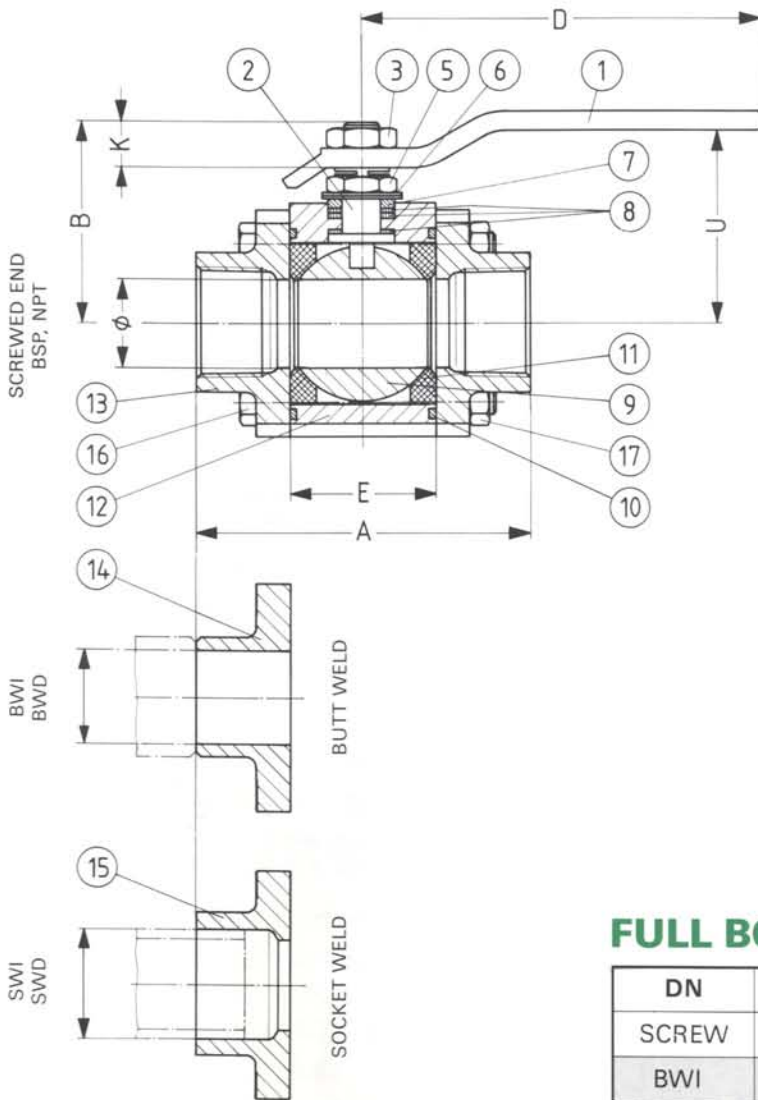
## REDUCED BORE

1	Handle
2	Stem
3	Handle Nut
5	Stem Retaining Nut
6	Stem Seal Washer
7	Stem Seal Follower
8	Stem Seal
9	Ball
10	Body Seal
11	Seat
12	Body
13	Screwed End
14	Butt Weld End
15	Socket Weld End
16	Body Bolts
17	Body Nuts

DN	15	20	25	32	40	50
SCREW	1/2"	3/4"	1"	1 1/4"	1 1/2"	2"
BWI	15	20	25	32	40	50
BWD	18,1	23,7	29,7	38,4	44,3	55,1
SWI	23	28	35	44	50	61
SWD	21,7	27,3	34,1	42,8	48,7	60,7
∅	11	14	21	25	32	38
A	65	75	90	105	115	130
B	36	42	55	60	72	77
C	45	50	60	65	75	80
D	105	105	145	145	175	175
E	20,6	24,6	31,7	41,3	48,4	56,3
F	45	51	62	68	76	86
G	15,9	19,1	22,1	25,1	28,6	33,3
J UNF	3/8"	3/8"	7/16"	7/16"	9/16"	9/16"
K	9	9	12	12	16	16
L	5,5	5,5	7,5	7,5	9	9
S	M6×45	M6×50	M8×60	M8×70	M10×80	M10×90
U	35	40	50	55	66	71
Weight / kg	0,5	0,7	1,4	2,0	2,7	3,8

# SERIES 15

DN  $\frac{1/4'' - 1 1/2''}{8 - 40}$



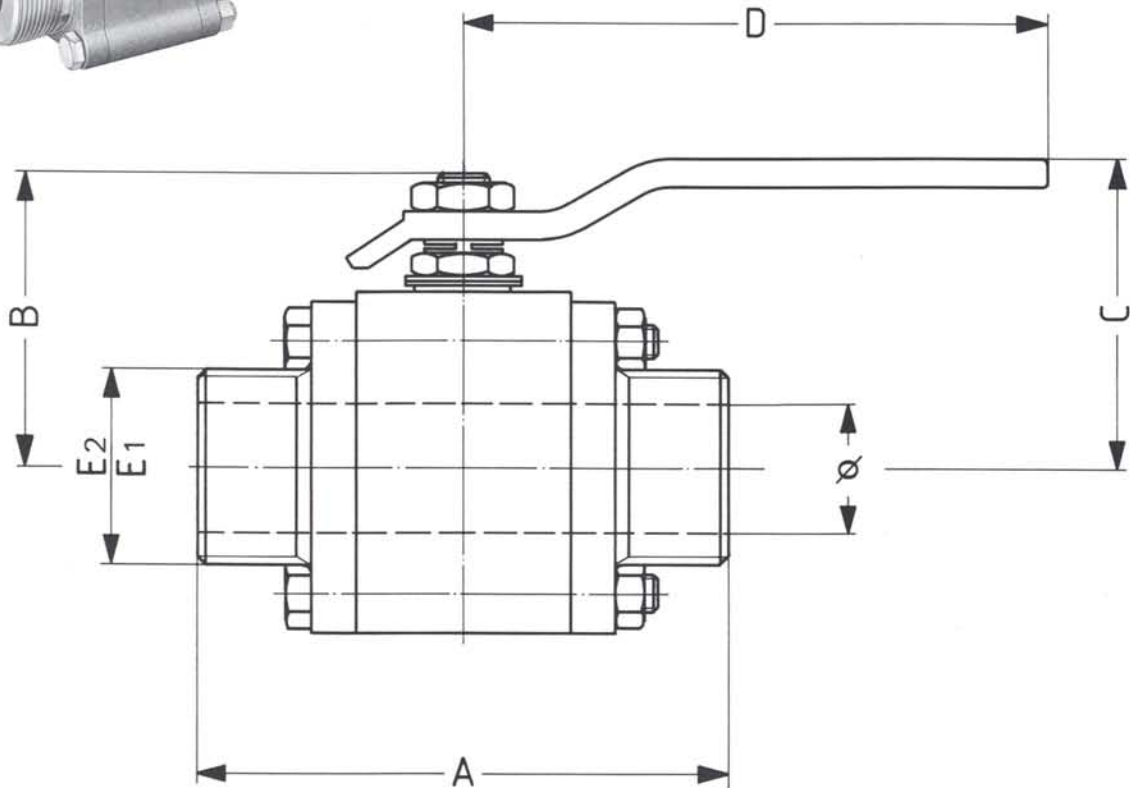
## FULL BORE

1	Handle
2	Stem
3	Handle Nut
5	Stem Retaining Nut
6	Stem Seal Washer
7	Stem Seal Follower
8	Stem Seal
9	Ball
10	Body Seal
11	Seat
12	Body
13	Screwed End
14	Butt Weld End
15	Socket Weld End
16	Body Bolts
17	Body Nuts

DN	8	10	15	20	25	32	40
SCREW	1/4"	3/8"	1/2"	3/4"	1"	1 1/4"	1 1/2"
BWI	8	10	15	20	25	32	40
BWD	10,3	14	18,1	23,7	29,7	38,4	44,3
SWI	15	18	23	28	35	44	50
SWD	13,9	17,6	21,7	27,3	34,1	42,8	48,7
∅	11	11	14	21	25	32	38
A	65	65	75	90	105	115	130
B	36	36	42	55	60	72	77
C	45	45	50	60	65	75	80
D	105	105	105	145	145	175	175
E	20,6	20,6	24,6	31,7	41,3	48,4	56,3
F	45	45	51	62	68	76	86
G	15,9	15,9	19,1	22,1	25,1	28,6	33,3
J UNF	3/8"	3/8"	3/8"	7/16"	7/16"	9/16"	9/16"
K	9	9	9	12	12	16	16
L	5,5	5,5	5,5	7,5	7,5	9	9
S	M6×45	M6×45	M6×50	M8×60	M8×70	M10×80	M10×90
U	35	35	40	50	55	66	71
Weight/kg	0,5	0,5	0,6	1,3	1,9	2,5	3,6

# SERIES 15

with male thread BSPP



DN	10	15	20	25	32	40
Ø	11	14	21	25	32	38
A	70	85	100	110	130	150
B	36	42	55	60	72	77
C	45	50	60	65	75	80
D	105	105	145	145	175	175
E 1 BSPP	3/4"	1"	1 1/4"	1 1/2"	2"	2 1/4"
E 2	1/2"	3/4"	1"	1 1/4"	1 1/2"	2"
kg	0,6	0,85	1,3	2,2	3,3	4,5