

PRODUCT DATA

General Description	BUTTERFLY VALVE - Centric rubber lined
Design Code	EN 593
Size Range	DN 50 - 300, NPS 2" - 12"
Maximum Pressure	16 bar



DESIGN

Body	Flangeless wafer type with Centering Lugs
End Connection	EN 1092 PN 10/16
Face to Face	EN 558-1/2 Series 20 ISO 5752 Series 20
Body Seat	Non replaceable Lining bonded to the body
Shaft Seal Design	O-ring bush
Driving Shaft	With indication for position of the disc
Special Design	-
Options	

TESTING PROCEDURES

Shell strength test	EN 12266-1, P10 DIN 3230, Part 3 API 598
Shell tightness test	EN 12266-1, P11 API 598
Seat tightness test	EN 12266-1, P12, Rate A ISO 5208, Rate A API 598
Operability test	EN 12266-2, F20 DIN 3230, Part 3 API 598

FUNCTIONAL CHARACTERISTICS

Application	On/off, regulating, control valve
Design pressure PS	Maximum 16 bar
Design temp. TS	-20°C (-4°F) to +200° (392°F)
Flow velocity	Max. 5 m/s for liquids, max. 50 m/s for gases
Seat tightness rate	Bi-directional - ISO 5208 rate A

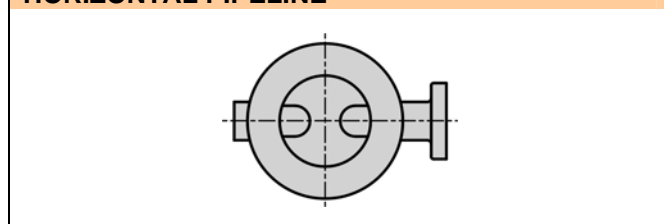
OPTIONS

Anti Static Design	In accordance with EN 736/3 and API 609
--------------------	---

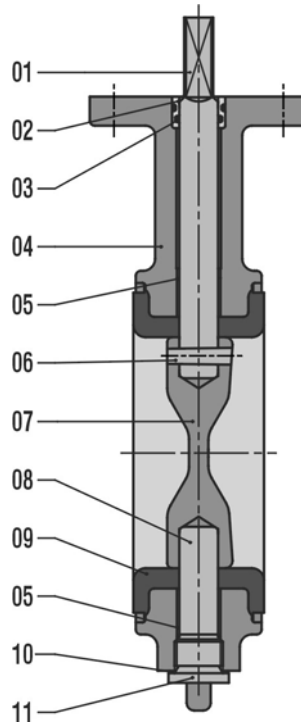
MARKING & CERTIFICATION

Marking	EN 19, MSS SP 25
Certification	EN 10204 - 2.2, 3.1, 3.2

PREFERRED POSITION WHEN INSTALLED IN HORIZONTAL PIPELINE



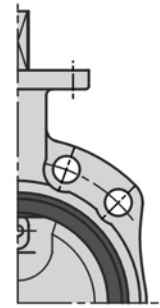
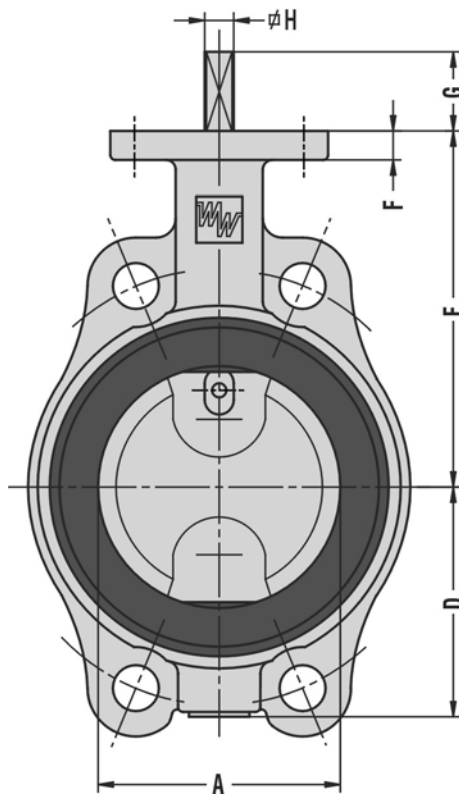
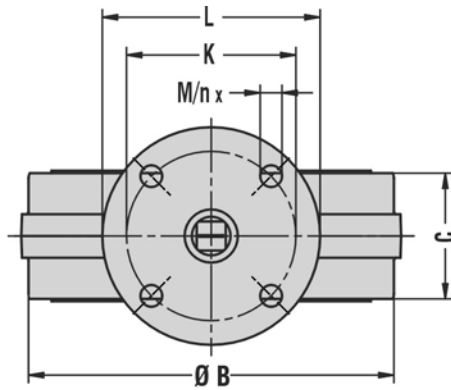
PARTS LIST – EVBS 50-300 (2"-12")



ITEM	DESCRIPTION	MATERIAL ⁽¹⁾	EN/DIN	COMPARABLE ASTM
01	Shaft	Duplex SS Martensitic SS Aluminium Bronze Monel K500® Hastelloy-C®	1.4462, EN 10088 1.4057, EN 10088 CuAl10Ni5Fe4, EN/DIN 17665 NA 18, BS 3076 -	A 181, Grade F51 A 276, Grade 431 B 150, C63000 - B 547, N10276
02	Bush	Bronze		
03	O-ring	EPDM NBR FPM		
04	Body	Cast Iron Ductile Iron Ductile Iron (low temp.)	JL 1040, EN 1561 JS 1030, EN 1563 JS 1049, EN 1563	A 126, Class B A 395, 60-40-18 -
05	Bearing	St. / PTFE Lining Bronze / PTFE Lining		
06	Conical pin	See ITEM 01	See ITEM 01	See ITEM 01
07	Disc	Duplex SS Martensitic SS Aluminium Bronze Ductile Iron / coated Hastelloy-C® CuNi	1.4462, EN 10088 1.4057, EN 10088 G-CuAl10Ni, DIN 1714 JS 1030, EN 1563 / coated - 2.0835, DIN 17658	A 181, Grade F51 A 276, Grade 431 B 148, C95800 A 395, 60-40-18 / coated A 494, CW-12MW -
08	Shaft	See ITEM 01	See ITEM 01	See ITEM 01
09	Lining	EPDM NBR FPM		
10	Sealing ring	Cu		
11	Plug	St./Zn5C		

⁽¹⁾ Other materials on request

DIMENSIONS – EVBS 50-300 (2"-12")



DN 250 + DN 300

DN	NPS	A	B	C	D	E	F	G	H	ISO 5211	K	L	M	n	MASS ±kg
50	2"	50	100	43	63	118	12	34	10	F07	70	90	9	4	2.8
65	2½"	65	115	46	71	126	12	34	10	F07	70	90	9	4	3.6
80	3"	80	130	46	78	133	12	34	10	F07	70	90	9	4	3.9
100	4"	100	150	52	98	147	12	34	12	F07	70	90	9	4	5.1
125	5"	125	182	56	109	160	12	34	12	F07	70	90	9	4	7
150	6"	150	210	56	133	180	14	34	16	F07	70	90	9	4	9.5
200	8"	200	262	60	158	204	14	34	16	F07	70	90	9	4	14
250	10"	250	315	68	194	245	15	45	24	F10	102	125	11	4	24
300	12"	300	371	78	219	270	15	45	24	F10	102	125	11	4	36