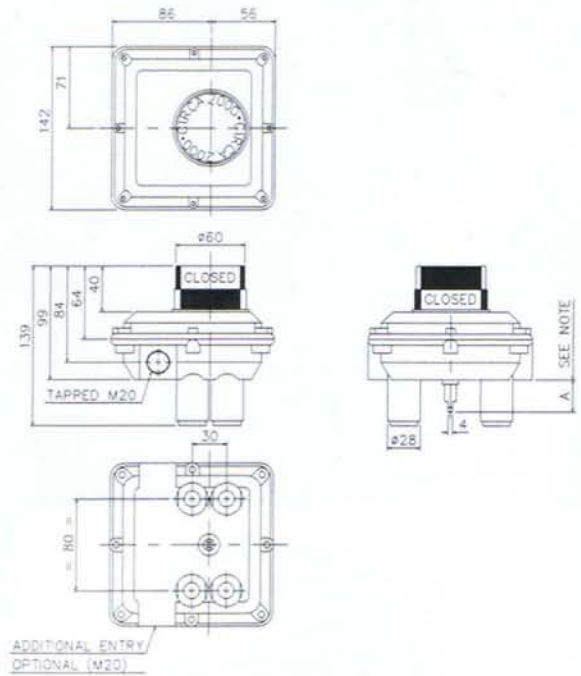
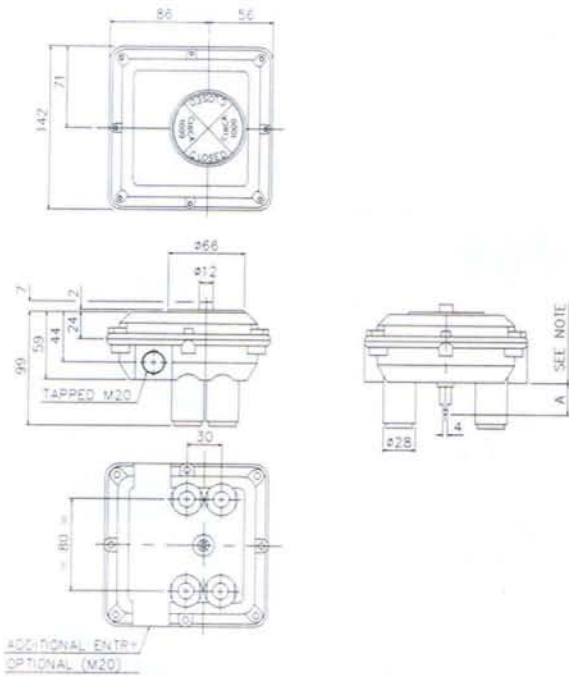


CIRCA 1000

CIRCA 2000



NOTE  
FOR A ACTUATOR SHAFT HEIGHT OF 20mm - A = 28mm  
FOR A ACTUATOR SHAFT HEIGHT OF 30mm - A = 18mm

NOTE  
FOR A ACTUATOR SHAFT HEIGHT OF 20mm - A = 28mm  
FOR A ACTUATOR SHAFT HEIGHT OF 30mm - A = 18mm

## PARTS LIST AND SPECIFICATIONS

	PART	MATERIAL/TYPE	MANUFACTURER	SPECIFICATION
1	MAIN HOUSING	10% GLASS FILLED POLYCARBONATE	GENERAL ELECTRIC	LEXAN
2	COVER	POLYCARBONATE	GENERAL ELECTRIC	
3	'EASI-VU' INDICATOR	ABS	MANNAL AC	
4	MAIN SHAFT	ACETAL	DUPONT	DELRIN
5	CAMS	ACETAL	DUPONT	DELRIN
6	FAST FIT CLIPS	NATURAL ACETAL	DUPONT	DELRIN
7	'O' RING SEALS	NITRILE	DICHTOMATIK	ISO 3601 BS 4518
8	INTERNAL FASTENERS	STAINLESS STEEL	VARIOUS	GRADE 304
9	COVER FASTENERS	STAINLESS STEEL	VARIOUS	GRADE 304
10	CABLE	1.5mm CABLE	DELTA CABLES	BS 6360 CLASS 5
11a	MICROSWITCH	V3 (SPDT)	BURGESS XG3 - S20	VDE APPROVED
11b	PROXIMITY SENSOR	NJ2-V3-N-Y17905S	PEPPERL & FUCHS	DIN 19234 CENELEC Ex ia IIcT6



## CIRCA 1000

- Low profile polycarbonate model
- High resolution, easy set spline cams
- Flat visual indicator visible from above
- Corrosion resistant
- IP67 rated
- Factory pre-set switches
- Can be customised with clients logo
- Unique mounting style (see opposite page)
- Up to 3 cable entries available
- ASI compatible



## CIRCA 1500

- Compact polycarbonate model
- High resolution, easy set spline cams
- Flat visual indicator visible from above
- Corrosion resistant
- IP65 rated
- Factory pre-set switches
- Can be customised with clients logo
- Unique mounting style (see opposite page)
- One cable entry



## CIRCA 2000

- High visibility polycarbonate model
- High resolution, easy set spline cams
- Easi-vu indicator for all round indication
- Corrosion resistant
- IP67 rated
- Factory pre-set switches
- Can be customised with clients logo
- Unique mounting style (see opposite page)
- Up to 3 cable entries available
- ASI compatible

